

# KitchenAid® 30" and 36" Traditional Series Vented and Non-Vented Range Hoods

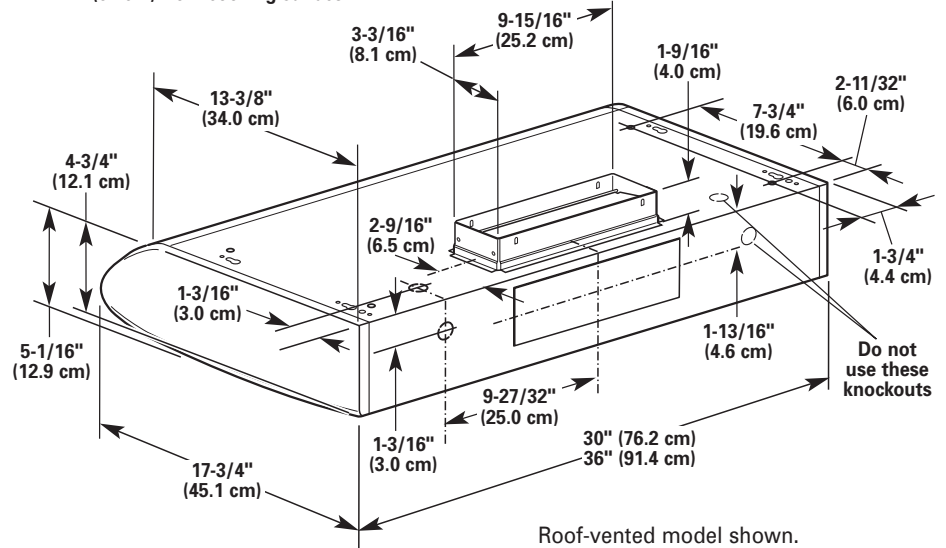
## PRODUCT MODEL NUMBERS

KHTU160K  
KHTU100K

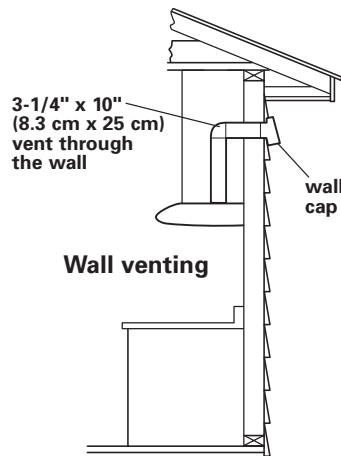
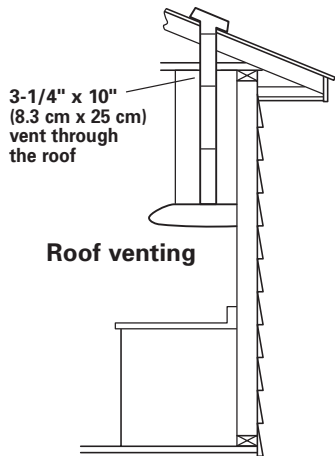
**Electrical:** 120-volt, 60-Hz, AC-only, 15-amp. electrical supply. Use copper wire only. A time-delay fuse or circuit breaker and separate circuit is recommended.

## OVERALL DIMENSIONS

Note: Underside of hood must be a minimum of 24" (61 cm) from cooking surface.



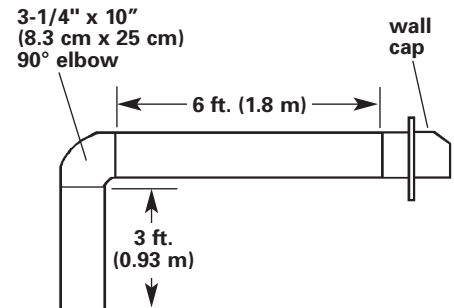
## VENTING REQUIREMENTS



### Recommended vent system length

Use 3 1/4" x 10" (8.3 cm x 25 cm) vent with maximum length of 26 feet (8 m) for vent system. For best performance, use no more than three 90° elbows. To calculate the length of system you need, add the equivalent feet (meters) for each vent piece used in the system. See the following example.

### 3-1/4" x 10" (8.3 cm x 25 cm) vent system



### Recommended standard fittings

3-1/4" x 10" (8.3 cm x 25 cm) 90° elbow = 5 ft. (1.5 m)	
3-1/4" x 10" (8.3 cm x 25 cm) flat elbow = 12 ft. (3.7 m)	
3-1/4" x 10" (8.3 cm x 25 cm) wall cap = 0 ft. (0 m)	

<b>Maximum length</b>	<b>= 26 ft. (8 m)</b>
1 — 90° elbow	= 5 ft. (1.5 m)
9 ft. (2.8 m) straight	= 9 ft. (2.8 m)
1 — wall cap	= 0 ft. (0 m)
<b>Length of 3-1/4" x 10" (8.3 cm x 25 cm) system</b>	<b>= 14 ft. (4.3 m)</b>